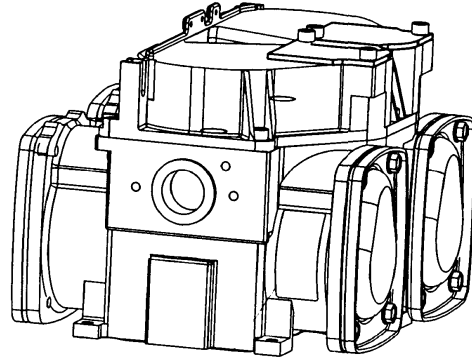


PARTS

iMeter Series Parts Manual



iMeter Series Parts Manual

This manual lists parts for iMeter modules and assemblies which are common to all 2/Vista dispensers.

TABLE OF CONTENTS

<u>Title</u>	<u>Page</u>
How to Locate Parts	iv
How to Order Parts	v
How to Contact Wayne.....	vi
List of Tables	vii
List of Figures.....	vii
Warranty and Limitation of Remedy and Liability.....	Inside Back Cover
FCC Warning	Back Cover

HOW TO LOCATE PARTS

How to locate part number:

- Locate the module or assembly in the List of Tables and turn to the page indicated.
- Use the iMeter Assembly Drawing to locate the desired Part and corresponding Item Number on the Drawing.
- Use the Item* Number on the drawing to find the specific Part Number, Quantity and Description in the iMeter Assembly Parts Table.

*The item numbers shown on the illustrations are intended only to locate the part number and description in the accompanying table of parts. **Do not order parts by item number.**

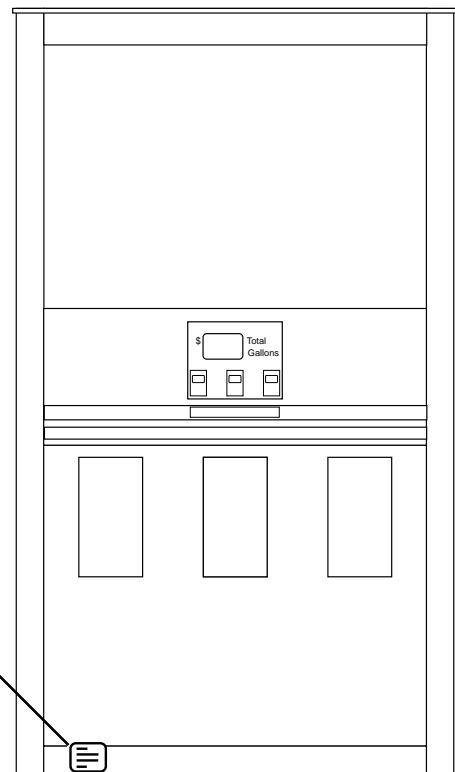
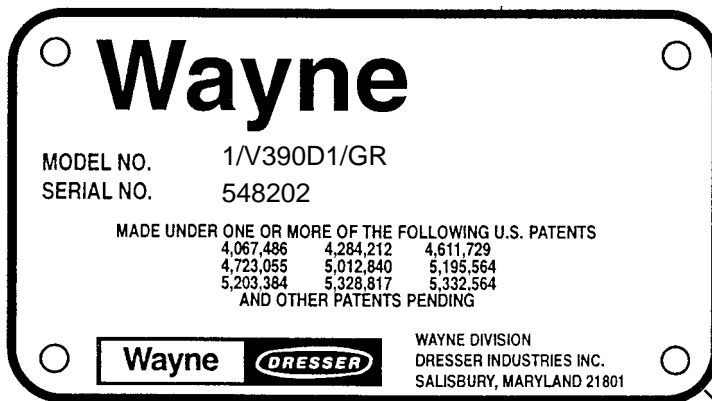
HOW TO ORDER PARTS

To insure correct and prompt delivery of parts, furnish the serial number, model number and any existing code number on the dispenser serial plate, located on the left front base of the dispenser, and the iMeter serial plate, a sample of which is shown below.

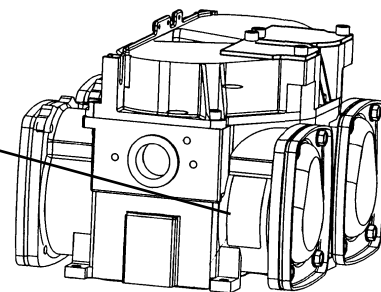
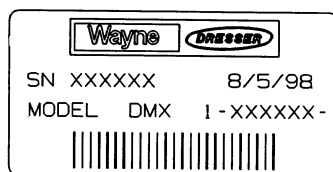
When ordering parts supply the following information:

- **Serial number of dispenser and meter.**
- **Model number of dispenser and meter.**
- **Part number.**
- **Description of the part.**
- **Quantity desired.**

Dispenser Serial Plate



iMeter Serial Plate



NOTE: The Model and Serial Numbers above are examples only. 1/V390 Shown.

HOW TO CONTACT WAYNE

WAYNE TECHNICAL SUPPORT	1-800-926-3737
WAYNE SERVICE PARTS DEPT.	PH: 1-512-218-6547
	FAX ORDERS: 1-410-546-6885
WARRANTY AND CONTRACT PARTS	FAX: 1-410-546-6846

NOTE: When ordering parts with particular company specifications such as doors, advertising panels and dial faces, please call our Service Parts Department at 1-512-218-6547 with specific dispenser model number and serial number. All warranty parts are to be ordered through local distributors.

LIST OF TABLES

<u>TITLE</u>	<u>PAGE</u>
Table 1. 1-48015 - iMeter Assembly with Sleeves, Domestic	2
Table 2. 2-48015 - iMeter Assembly with Sleeves, Export	3
Table 3. 1-48016 - iMeter Assembly with Sleeves, Single Sided, Domestic	6
Table 4. 2-48016 - iMeter Assembly with Sleeves, Single Sided, Export	7
Table 5. 1-47917 - iMeter Remote Module with Sleeves	10
Table 6. 1-47918 - iMeter Remote Module with Sleeves, Single Sided	10
Table 7. 1-47919 - iMeter Suction Module with Sleeves	12
Table 8. 2-47919 - iMeter Suction Module with Sleeves, Single Sided	12
Table 9. -47927 - iMeter/Pulser Assembly	14

LIST OF FIGURES

<u>TITLE</u>	<u>PAGE</u>
Figure 1. 1-48015-DWG - iMeter Assembly with Sleeves	1
Figure 2. 1-48016-DWG - iMeter Assembly with Sleeves, Single Sided	5
Figure 3. 1-47917-DWG - iMeter Remote Module	9
Figure 4. 1-47919-DWG - iMeter Suction Module with Sleeves	11
Figure 5. 1-47927-DWG - iMeter/Pulser Assembly	13

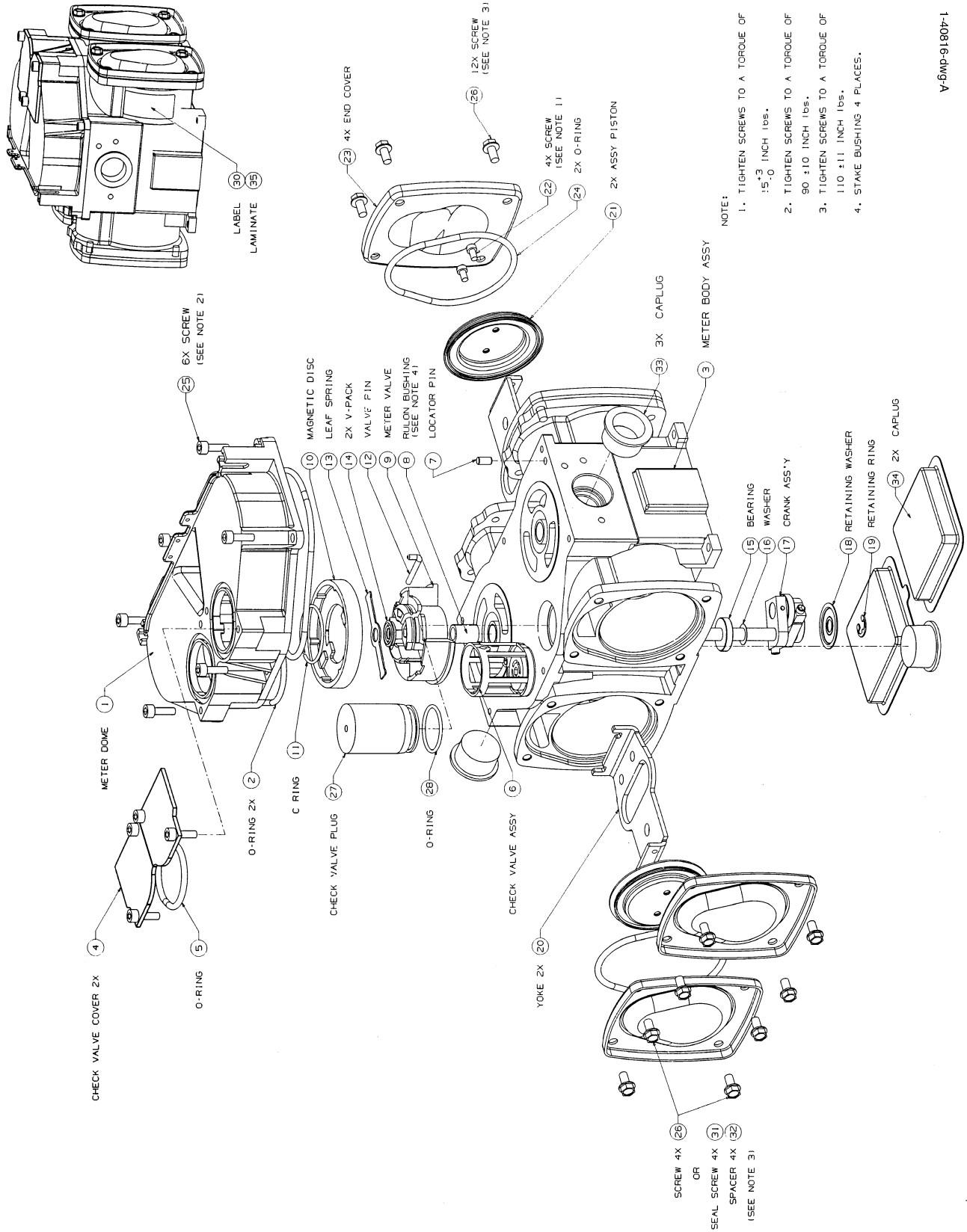


FIGURE 1. 1-48015-DWG - IMETER ASSEMBLY WITH SLEEVES

TABLE 1. 1-48015 - IMETER ASSEMBLY WITH SLEEVES, DOMESTIC

Item No.	Part No.	Qty.	Description
	001-048015-		IMETER ASSY W/SLEEVE
DWG	001-048015-DWG		IMETER ASSY W/SLEEVE
1	001-047870-	1	METER DOME MACHINED
2	001-921076-	2	O-RING, 118.5MM +/- .5MM X
3	003-048017-	1	BODY,IMETER ASSY
4	001-201943-	2	COVER,CHECK VALVE
5	001-921075-	2	O-RING, 49MM +/- .3MM
6	001-300954-	2	VALVE,CK.&PR. RELIEF ASSY
7	001-201944-	2	PIN,LOCATOR
8	001-921039-	2	BEARING,RULON SLEEVE
9	001-201945-	2	VALVE,METER
10	001-301155-	2	RING,MAGNETIC
11	001-201956-	2	C-SPRING, RETAINING
12	001-201987-	2	PIN, VALVE
13	001-201947-	2	SPRING,LEAF
14	001-300983-	4	SEAL,V-PACK SHAFT
15	-122552-	2	BEARING
16	001-921047-	2	WASHER,FLAT ALUM.
17	001-300955-	2	SHAFT,CRANK ASSY
18	001-201957-	2	WASHER,RETAINING
19	001-921072-	2	RING,RETAINER EXTERNAL
20	001-201948-	4	YOKE,METER
21	-200040-	4	PISTON ASSY
22	-513066-	8	FIHM S#10-32X5/16W/WASHER
23	005-038765-	4	COVER,CYL .0005 ZINC PL.
24	-120406-	4	O RING
25	001-921053-	10	SHCS M6 X 1 X 16MM
26	-918452-	16	WAHH SCREW 1/4-20 X 1/2
30	001-201989-	1	LABEL,METER
35	001-921381-	1	LAMINATE

TABLE 2. 2-48015 - IMETER ASSEMBLY WITH SLEEVES, EXPORT

Item No.	Part No.	Qty.	Description
	002-048015-		IMETER ASSY W/SLEEVE
DWG	001-048015-DWG		IMETER ASSY W/SLEEVE
1	001-047870-	1	METER DOME MACHINED
2	001-921076-	2	O-RING, 118.5MM +/- .5MM X
3	003-048017-	1	BODY,IMETER ASSY
4	001-201943-	2	COVER,CHECK VALVE
5	001-921075-	2	O-RING, 49MM +/- .3MM
6	002-300954-	2	VALVE,CK.&PR. RELIEF ASSY
7	001-201944-	2	PIN,LOCATOR
8	001-921039-	2	BEARING,RULON SLEEVE
9	001-201945-	2	VALVE,METER
10	001-301155-	2	RING,MAGNETIC
11	001-201956-	2	C-SPRING, RETAINING
12	001-201987-	2	PIN, VALVE
13	001-201947-	2	SPRING,LEAF
14	001-300983-	4	SEAL,V-PACK SHAFT
15	-122552-	2	BEARING
16	001-921047-	2	WASHER,FLAT ALUM.
17	001-300955-	2	SHAFT,CRANK ASSY
18	001-201957-	2	WASHER,RETAINING
19	001-921072-	2	RING,RETAINER EXTERNAL
20	001-201948-	4	YOKE,METER
21	-200040-	4	PISTON ASSY
22	-513066-	8	FIHM S#10-32X5/16W/WASHER
23	005-038765-	4	COVER,CYL .0005 ZINC PL.
24	-120406-	4	O RING
25	001-921053-	10	SHCS M6 X 1 X 16MM
26	-918452-	16	WAHH SCREW 1/4-20 X 1/2
30	001-201989-	1	LABEL,METER
33	001-921140-	3	PLUG,PLASTIC TAPERED POLY
34	001-921141-	2	PLUG,PLASTIC TPRTD,RECTAN
35	001-921381-	1	LAMINATE

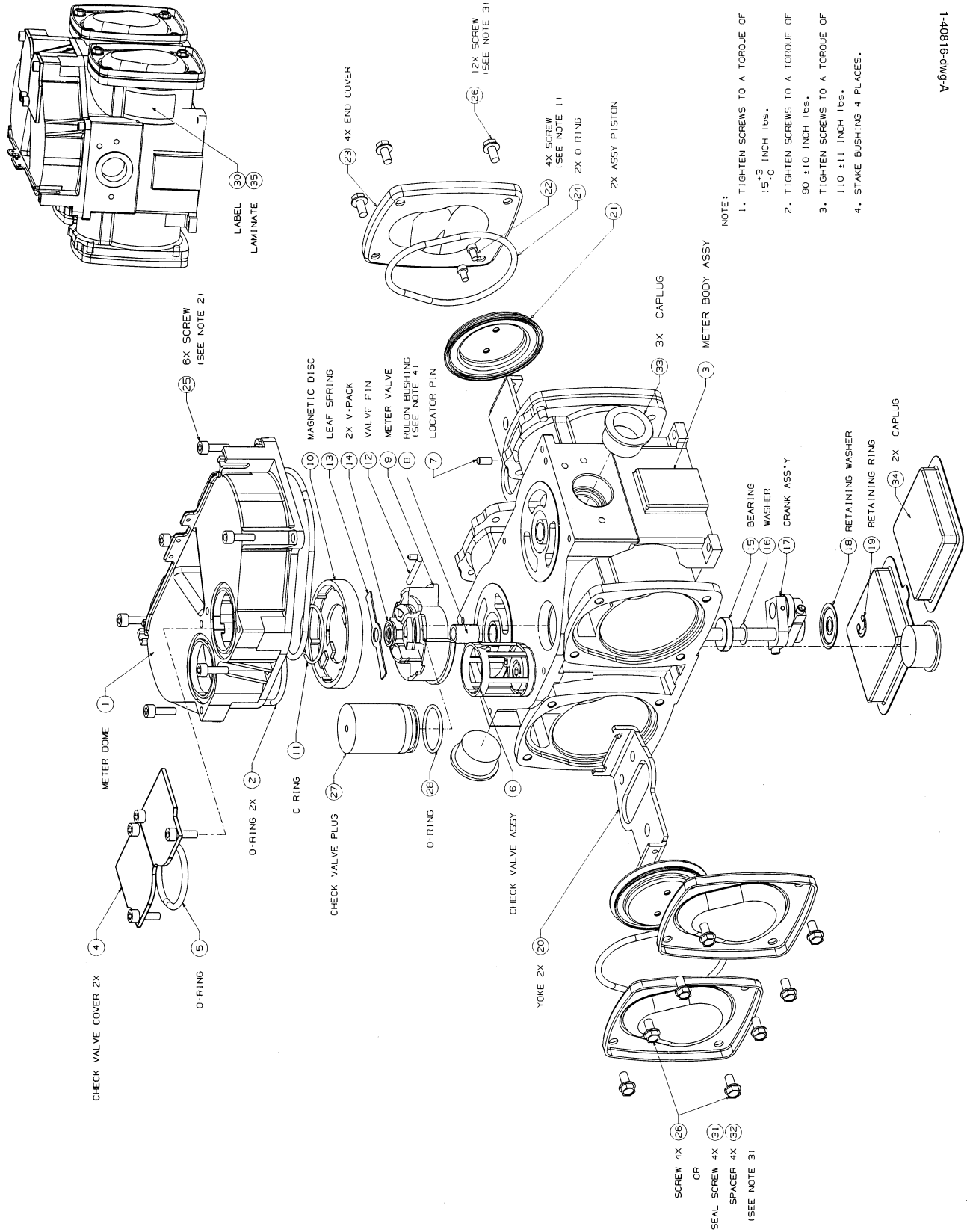


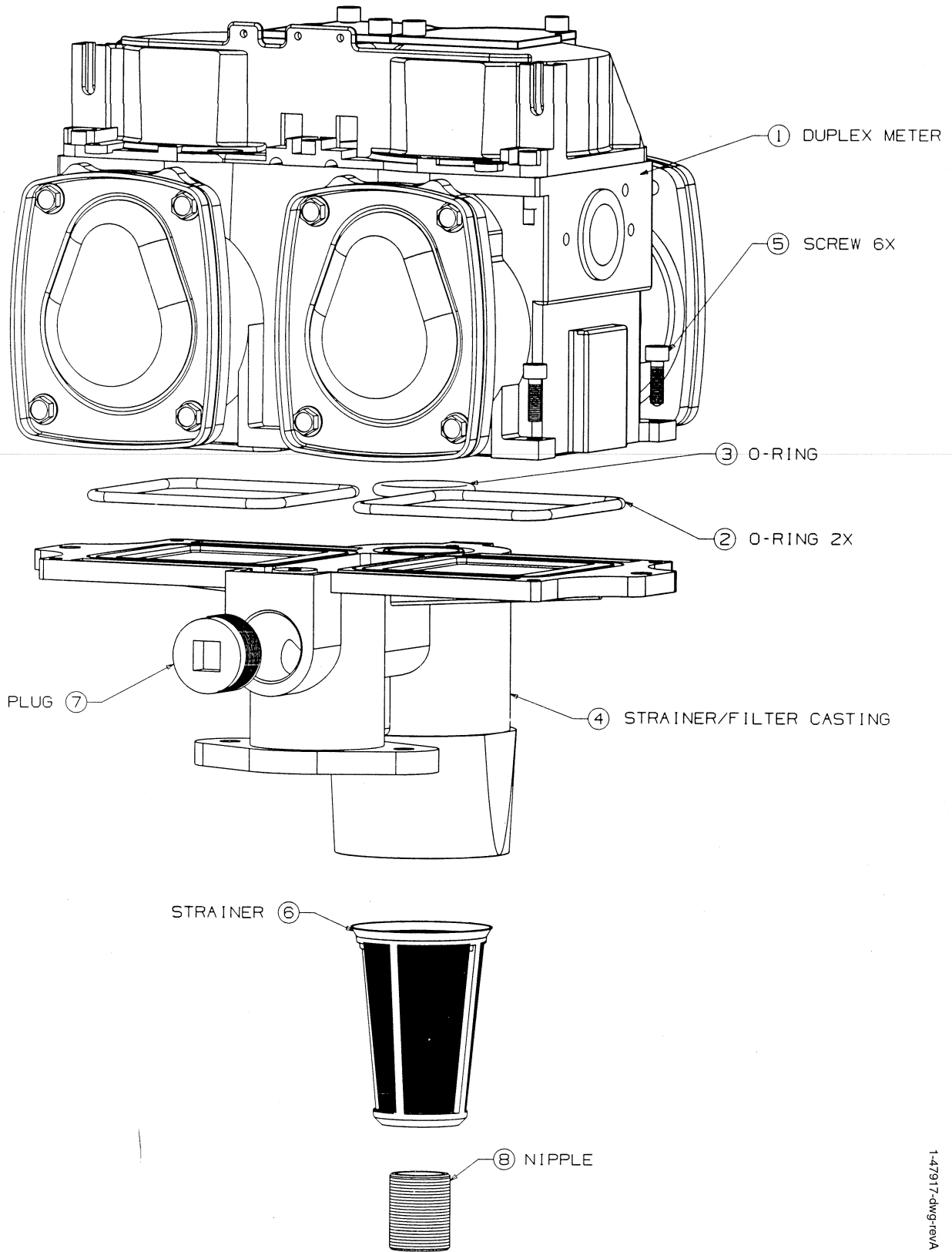
FIGURE 2. 1-48016-DWG - IMETER ASSEMBLY WITH SLEEVES, SINGLE SIDED

TABLE 3. 1-48016 - IMETER ASSEMBLY WITH SLEEVES, SINGLE SIDED, DOMESTIC

Item No.	Part No.	Qty.	Description
	001-048016-		IMETER ASSY SGL. SIDED
DWG	001-048016-DWG		IMETER ASSY SGL. SIDED
1	001-047870-	1	METER DOME MACHINED
2	001-921076-	2	O-RING, 118.5MM +/- .5MM X
3	005-048017-	1	BODY,IMETER ASSY
4	001-201943-	2	COVER,CHECK VALVE
5	001-921075-	1	O-RING, 49MM +/- .3MM
6	001-300954-	1	VALVE,CK.&PR. RELIEF ASSY
7	001-201944-	2	PIN,LOCATOR
8	001-921039-	1	BEARING,RULON SLEEVE
9	001-201945-	1	VALVE,METER
10	001-301155-	1	RING,MAGNETIC
11	001-201956-	1	C-SPRING, RETAINING
12	001-201987-	1	PIN, VALVE
13	001-201947-	1	SPRING,LEAF
14	001-300983-	2	SEAL,V-PACK SHAFT
15	-122552-	1	BEARING
16	001-921047-	1	WASHER,FLAT ALUM.
17	001-300955-	1	SHAFT,CRANK ASSY
18	001-201957-	1	WASHER,RETAINING
19	001-921072-	1	RING,RETAINER EXTERNAL
20	001-201948-	2	YOKE,METER
21	-200040-	2	PISTON ASSY
22	-513066-	4	FIHM S#10-32X5/16W/WASHER
23	005-038765-	4	COVER,CYL .0005 ZINC PL.
24	-120406-	2	O RING
25	001-921053-	10	SHCS M6 X 1 X 16MM
26	-918452-	16	WAHH SCREW 1/4-20 X 1/2
27	001-201998-	1	PLUG,CHECK VALVE
28	001-921074-	1	O-RING,32.2MM +/- .3MM
30	001-201989-	1	LABEL,METER
33	001-921140-	1	PLUG,PLASTIC TAPERED POLY
35	001-921381-	1	LAMINATE
PARTS NOT SHOWN ARE IN THE UNUSED SIDE			
	1-921039	1	BUSHING
	1-301155	1	DISK
	1-202055	1	ADAPTER PIN
	1-921076	2	O RING
	1-201945	1	VALVE
	1-201956	1	RETAINING RING

TABLE 4. 2-48016 - IMETER ASSEMBLY WITH SLEEVES, SINGLE SIDED, EXPORT

Item No.	Part No.	Qty.	Description
	002-048016-		IMETER ASSY SGL. SIDED
DWG	001-048016-DWG		IMETER ASSY SGL. SIDED
1	001-047870-	1	METER DOME MACHINED
2	001-921076-	2	O-RING, 118.5MM +/- .5MM X
3	005-048017-	1	BODY,IMETER ASSY
4	001-201943-	2	COVER,CHECK VALVE
5	001-921075-	1	O-RING, 49MM +/- .3MM
6	002-300954-	1	VALVE,CK.&PR. RELIEF ASSY
7	001-201944-	2	PIN,LOCATOR
8	001-921039-	1	BEARING,RULON SLEEVE
9	001-201945-	1	VALVE,METER
10	001-301155-	1	RING,MAGNETIC
11	001-201956-	1	C-SPRING, RETAINING
12	001-201987-	1	PIN, VALVE
13	001-201947-	1	SPRING,LEAF
14	001-300983-	2	SEAL,V-PACK SHAFT
15	-122552-	1	BEARING
16	001-921047-	1	WASHER,FLAT ALUM.
17	001-300955-	1	SHAFT,CRANK ASSY
18	001-201957-	1	WASHER,RETAINING
19	001-921072-	1	RING,RETAINER EXTERNAL
20	001-201948-	2	YOKE,METER
21	-200040-	2	PISTON ASSY
22	-513066-	4	FIHM S#10-32X5/16W/WASHER
23	005-038765-	4	COVER,CYL .0005 ZINC PL.
24	-120406-	2	O RING
25	001-921053-	10	SHCS M6 X 1 X 16MM
26	-918452-	16	WAHH SCREW 1/4-20 X 1/2
27	001-201998-	1	PLUG,CHECK VALVE
28	001-921074-	1	O-RING,32.2MM +/- .3MM
30	001-201989-	1	LABEL,METER
33	001-921140-	3	PLUG,PLASTIC TAPERED POLY
34	001-921141-	2	PLUG,PLASTIC TPRTD,RECTAN
35	001-921381-	1	LAMINATE
PARTS NOT SHOWN ARE IN THE UNUSED SIDE			
	1-921039	1	BUSHING
	1-301155	1	DISK
	1-202055	1	ADAPTER PIN
	1-921076	2	O RING
	1-201945	1	VALVE
	1-201956	1	RETAINING RING



1-47917-dwg-revA

FIGURE 3. 1-47917-DWG - iMETER REMOTE MODULE

TABLE 5. 1-47917 - IMETER REMOTE MODULE WITH SLEEVES

Item No.	Part No.	Qty.	Description
	001-047917-		GHM REMOTE W/SLEEVES
DWG	001-047917-DWG		REMOTE,GLOBAL HYDR. MODUL
1	011-047927-	1	METER , iMETER/PULSER ASSY
2	001-921073-	2	O-RING,101.5 MIN +/- .5MM
3	001-921077-	1	O-RING,34MM +/- .3MM
4	002-047855-	1	CASTING,FILTER STRAINER
5	001-921053-	6	SHCS M6 X 1 X 16MM
6	001-300967-	1	STRAINER
7	-509655-	1	PLUG M1" NPT SQ HD, ZINC
8	-126042-	1	NIPPLE

TABLE 6. 1-47918 - iMETER REMOTE MODULE WITH SLEEVES, SINGLE SIDED

Item No.	Part No.	Qty.	Description
	001-047918-		GHM REMOTE SINGLE SIDED
DWG	001-047917-DWG		GHM REMOTE W/SLEEVES
1	012-047927-	1	METER , iMETER/PULSER ASSY
2	001-921073-	2	O-RING,101.5 MIN +/- .5MM
3	001-921077-	1	O-RING,34MM +/- .3MM
4	002-047855-	1	CASTING,FILTER STRAINER
5	001-921053-	6	SHCS M6 X 1 X 16MM
6	001-300967-	1	STRAINER
7	-509655-	1	PLUG M1" NPT SQ HD, ZINC
8	-126042-	1	NIPPLE

1-47919-dwg-revA

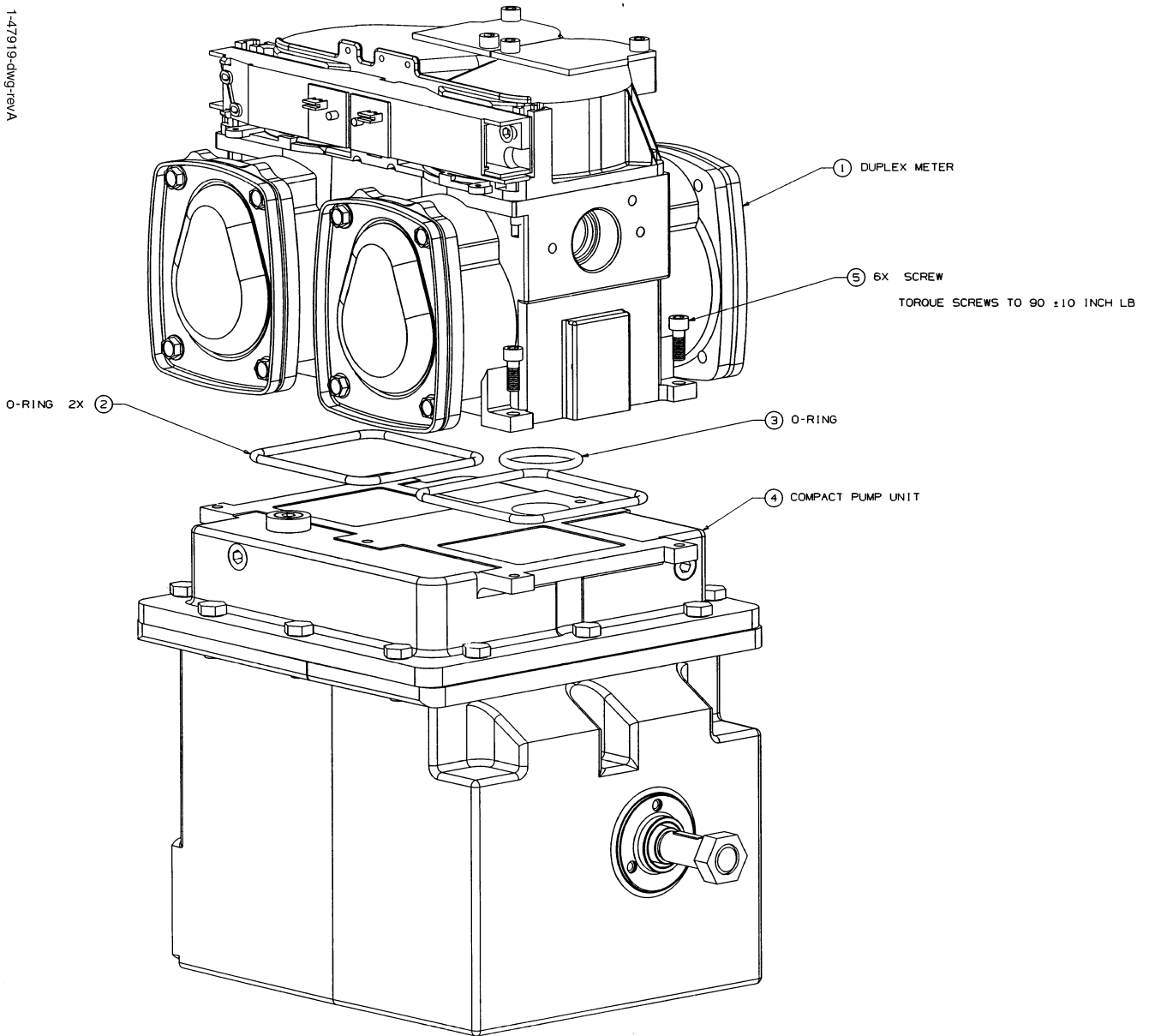


FIGURE 4. 1-47919-DWG - iMETER SUCTION MODULE WITH SLEEVES

TABLE 7. 1-47919 - IMETER SUCTION MODULE WITH SLEEVES

Item No.	Part No.	Qty.	Description
	001-047919-		GHM SUCTION DUPLEX/ W/SLE
DWG	001-047919-DWG		GHM SUCTION DUPLEX W/SLE.
1	011-047927-	1	METER, iMETER/PULSER ASSY
2	001-921073-	2	O-RING,101.5 MIN +/- .5MM
3	001-921077-	1	O-RING,34MM +/- .3MM
4	001-048018-	1	UNIT,COMPACT PUMP ASSY
5	001-921053-	6	SHCS M6 X 1 X 16MM

TABLE 8. 2-47919 - IMETER SUCTION MODULE WITH SLEEVES, SINGLE SIDED

Item No.	Part No.	Qty.	Description
	002-047919-		MOD,SUCIION GHM SS
DWG	001-047919-DWG		GHM SUCTION DUPLEX W/SLE.
1	012-047927-	1	METER, iMETER/PULSER ASSY
2	001-921073-	2	O-RING,101.5 MIN +/- .5MM
3	001-921077-	1	O-RING,34MM +/- .3MM
4	001-048018-	1	UNIT,COMPACT PUMP ASSY
5	001-921053-	6	SHCS M6 X 1 X 16MM

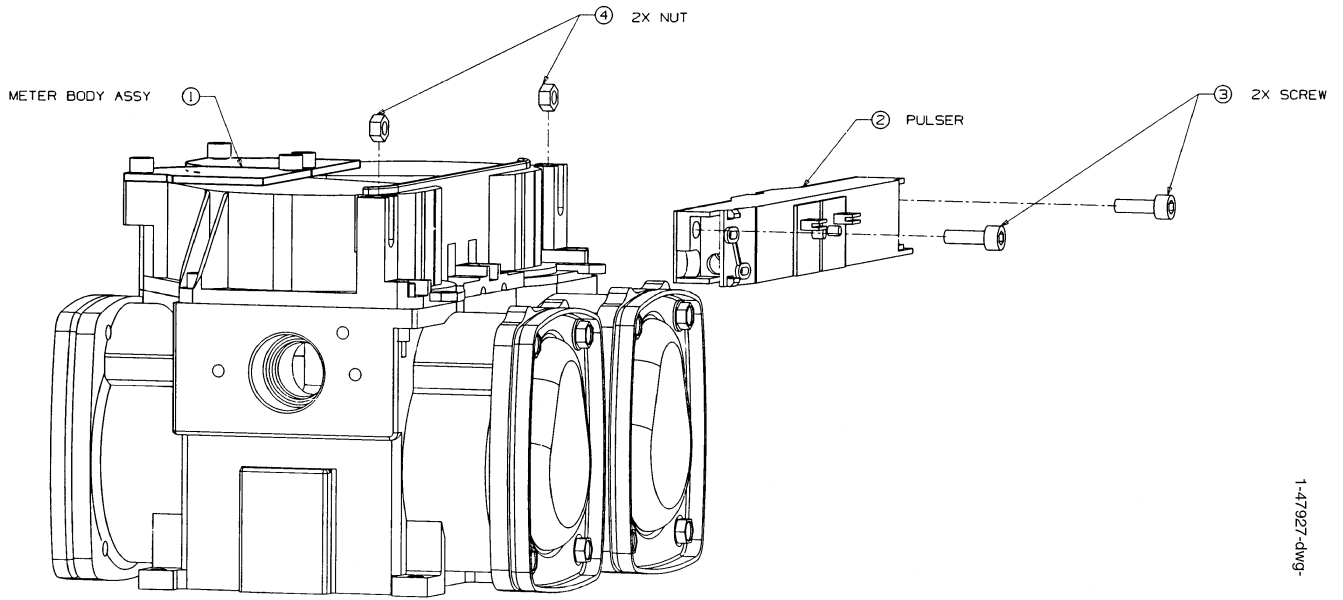


FIGURE 5. 1-47927-DWG - iMETER/PULSER ASSEMBLY

TABLE 9. -47927 - IMETER/PULSER ASSEMBLY

Item No.	Part No.	Qty.	Description
	005-047927-		METER,DUPLEX/PULSER ASSY
DWG	001-047927-DWG		DUPLEX,METER/PULSER ASSY
1	001-047903-	1	METER,DUPLEX ASSY
2	002-921087-	1	PULSER,PHASE WHIP
3	001-921053-	2	SHCS M6 X 1 X 16MM
4	001-921088-	2	NUT,HEX M6 X 1 CAD PLATE
NOTE: THIS ASSEMBLY NUMBER -47927 CANNOT BE ORDERED AS AN ASSEMBLY. SHOWN ONLY FOR PULSER NUMBER AND LOCATION.			

WARRANTY AND LIMITATION OF REMEDY AND LIABILITY

Seller warrants that new products and parts of its own design and manufacture when shipped, will be of good quality and will be free from defects in material and workmanship and will conform to applicable specifications. Work, when performed by Seller, will meet applicable work requirements. No warranty is made with respect to used or rebuilt equipment and with respect to products not manufactured by Seller. Seller's only obligation shall be to assign to Buyer, at the time of sale, whatever warranty Seller has received from the manufacturer. Items such as but not limited to lamps, electric motors, hoses, nozzles, hose swivels and safety impact valves are included in the category referred to in the previous sentence. Seller's recommendations with respect to the operation of Seller's equipment are advisory only and are not warranted. All claims under this warranty must be made in writing immediately upon discovery and, in any event, within twenty-four (24) months from date of start-up, if a product is involved, or from completion of the applicable work, if work is involved, or thirty (30) months from date of invoice (whichever shall occur first). (Provided however, that with respect to the Wayne Plus system, 2400 system, DL series dispensers, and card readers, all claims must be made in writing within twelve (12) months from date of start-up. With respect to receipts/totals printers, and any other printers or printing mechanisms, all claims must be made in writing within ninety (90) days from date of start-up. Wayne Vista dispenser external metal panels will be free from defects due to rust and/or corrosion for a period of forty-eight (48) months from date of dispenser start-up.) Defective and nonconforming items must be held for Seller's inspection and returned to the original f.o.b. point upon request. Seller's warranty on service parts, whether new or reconditioned, is ninety (90) days from the date of installation, or twelve (12) months from date of invoice, whichever first occurs. THE FOREGOING IS EXPRESSLY IN LIEU OF ALL OTHER WARRANTIES WHATSOEVER, EXPRESSED, IMPLIED AND STATUTORY, INCLUDING WITHOUT LIMITATIONS, THE IMPLIED WARRANTIES OF MERCHANTABILITY AND FITNESS.

Upon Buyer's submission of a claim as provided above and its substantiation, Seller shall, at its option either (I) repair or replace its product or work at the original f.o.b. point or location of purchase products and/or parts or (II) refund an equitable portion of the purchase price.

THE FOREGOING IS SELLER'S ONLY OBLIGATION AND BUYER'S EXCLUSIVE REMEDY FOR BREACH OF WARRANTY AND, EXCEPT FOR GROSS NEGLIGENCE OR WILLFUL MISCONDUCT, THE FOREGOING IS BUYER'S EXCLUSIVE REMEDY AGAINST SELLER FOR ALL CLAIMS ARISING HEREUNDER OR RELATING HERETO WHETHER SUCH CLAIMS ARE BASED ON BREACH OF CONTRACT, TORT (INCLUDING NEGLIGENCE AND STRICT LIABILITY) OR OTHER THEORIES. BUYER'S FAILURE TO SUBMIT A CLAIM AS PROVIDED ABOVE SHALL SPECIFICALLY WAIVE ALL CLAIMS FOR DAMAGES OR OTHER RELIEF, INCLUDING BUT NOT LIMITED TO CLAIMS BASED ON LATENT DEFECTS. IN NO EVENT SHALL BUYER BE ENTITLED TO INCIDENTAL OR CONSEQUENTIAL DAMAGES. ANY ACTION BY BUYER ARISING HEREUNDER OR RELATING HERETO, WHETHER BASED ON BREACH OF CONTRACT, TORT (INCLUDING NEGLIGENCE AND STRICT LIABILITY) OR OTHER THEORIES, MUST BE COMMENCED WITHIN ONE (1) YEAR AFTER THE CAUSE OF ACTION ACCRUES OR IT SHALL BE BARRED.

"NOTE: This equipment has been tested and found to comply with the limits for a Class A digital device, pursuant to Part 15 of the FCC Rules. These limits are designed to provide reasonable protection against harmful interference when the equipment is operated in a commercial environment. This equipment generates, uses, and can radiate radio frequency energy and, if not installed and used in accordance with the instruction manual, may cause harmful interference to radio communications. Operation of this equipment in a residential area is likely to cause harmful interference in which case the user will be required to correct the interference at his own expense."



Wayne Division, Dresser Industries Inc., P.O. Box 1859, Salisbury, MD 21802-1859, (410) 546-6600

Part No. 920467 Rev. A 10/99

©1999 Dresser Industries, Inc.

200/10/99



920467 A